

# 55 Tonne All Terrain Crane

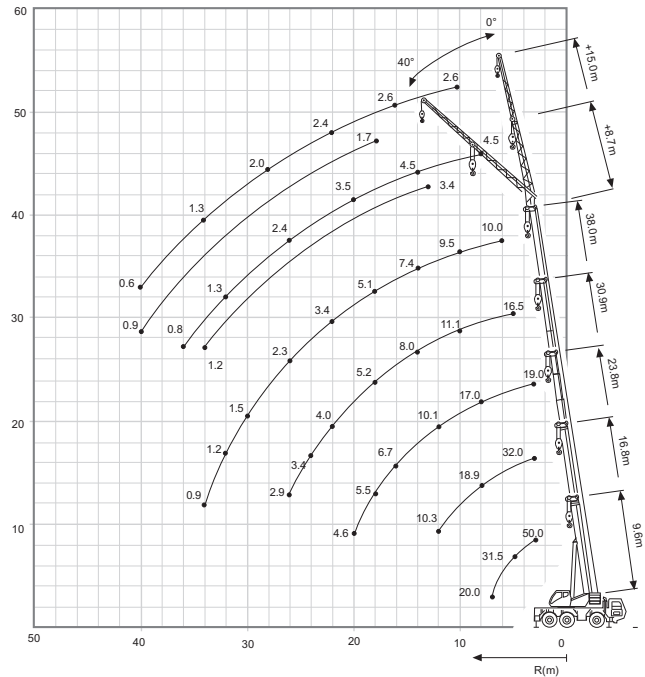
**Lift Capacity:** 50.0 Tonne  
**Boom Length:** 38.0 m  
**Fly Jib Length:** 15.0 m

**Main Hook Weight:** 400 Kg  
**Aux Hook Weight:** 100 Kg  
**Line Pull:** 5.1 Tonne

**55 Tonne Rating Chart**

m	9.6	13.2	16.8	20.3	23.8	27.3	30.9	34.4	38.0
3.0	50.0	41.5	32.0	19.0	19.0				
4.0	37.0	35.0	28.5	19.0	19.0	18.0			
5.0	31.5	30.5	25.0	19.0	19.0	18.0	16.5	12.7	
6.0	26.5	26.0	21.5	19.0	19.0	17.6	16.0	12.7	10.0
7.0	20.0	21.5	19.1	19.0	18.3	15.8	14.7	12.7	10.0
8.0		19.0	18.9	18.4	17.0	14.2	13.4	12.2	10.0
9.0		16.2	16.6	15.7	15.3	13.1	12.2	11.4	10.0
10.0		13.6	14.0	13.6	13.3	12.1	11.1	10.5	9.5
11.0			11.9	12.2	11.7	11.2	10.1	9.7	8.9
12.0			10.3	10.6	10.1	10.2	9.2	8.9	8.4
13.0				9.3	8.8	9.0	8.5	8.4	7.9
14.0				8.2	8.1	7.9	8.0	7.5	7.4
15.0				7.3	7.5	7.1	7.2	6.8	6.7
16.0				6.6	6.7	6.3	6.5	6.3	6.1
18.0					5.5	5.5	5.2	5.3	5.1
20.0					4.6	4.7	4.3	4.4	4.1
22.0						3.9	4.0	3.7	3.4
24.0						3.3	3.4	3.1	2.8
26.0							2.9	2.6	2.3
28.0								2.1	1.9
30.0								1.8	1.5
32.0									1.2
34.0									0.9

**55 Tonne Working Range**



**55 Tonne Dimensions**

