

130 Tonne All Terrain Crane

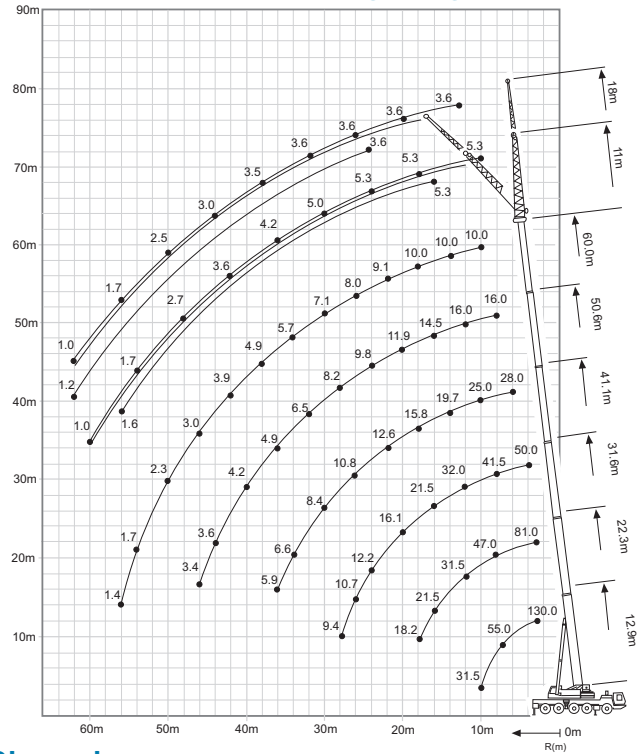
Lift Capacity: 130.0 Tonne
Boom Length: 60.0 m
Fly Jib Length: 11.0 m - 18.0 m

Main Hook Weight: 675 Kg
Aux Hook Weight: 200 Kg
Line Pull: 7.1 Tonne

130 Tonne Rating Chart

m	12.9	17.6	22.3	27.0	31.6	36.3	41.1	45.8	50.6	55.3	60.0
2.5	130										
3.0	93.5	86.0	81.0	65.0							
4.0	79.0	76.5	71.0	65.0	50.0						
5.0	68.0	67.5	63.5	60.5	49.5	38.0					
6.0	59.5	60.0	57.5	54.5	47.0	37.0	28.0	20.5			
7.0	52.5	53.0	52.0	50.0	44.0	35.0	28.0	20.5	16.0		
8.0	46.5	47.0	47.0	46.0	41.5	33.0	28.0	20.5	16.0	11.6	
9.0	41.0	42.5	42.5	42.0	39.0	31.5	26.5	20.5	16.0	11.6	10.0
10.0	31.5	38.0	38.0	37.5	37.0	29.5	25.0	20.5	16.0	11.6	10.0
11.0		35.0	34.5	34.0	34.5	28.0	23.5	20.5	16.0	11.6	10.0
12.0		32.0	31.5	31.5	32.0	26.5	22.5	19.5	16.0	11.6	10.0
13.0		29.0	29.0	28.5	29.5	25.0	21.0	18.6	16.0	11.6	10.0
14.0		25.0	26.5	26.0	27.0	23.5	19.7	17.7	15.8	11.6	10.0
15.0			24.0	24.5	24.0	22.5	18.7	16.8	15.2	11.6	10.0
16.0			21.5	22.5	21.5	21.5	17.6	14.4	14.5	11.6	10.0
18.0			18.2	18.5	17.9	18.8	15.8	12.7	13.0	11.6	10.0
20.0				15.6	16.1	15.8	13.9	11.5	11.9	11.1	9.7
22.0				13.3	14.1	13.5	12.6	10.4	10.8	10.3	9.1
24.0				9.6	12.2	11.7	11.6	9.5	9.8	9.4	8.6
26.0					10.7	10.1	10.8	8.4	8.9	8.6	8.0
28.0					9.4	9.3	9.5	7.5	8.2	7.9	7.6
30.0						8.7	8.4	6.9	7.4	7.3	7.1
32.0						8.0	7.4	6.2	6.5	6.5	6.4
34.0							6.6	5.9	5.7	5.7	5.7
36.0							5.9	5.5	4.9	5.3	5.3
38.0								4.9	4.5	5.0	4.9
40.0								4.4	4.2	4.7	4.4
42.0									3.9	4.3	3.9
44.0										3.6	3.4
46.0										3.4	3.0
48.0											3.1
50.0											2.7
52.0											2.0
54.0											1.7
56.0											1.4

130 Tonne Working Range



130 Tonne Dimensions

